



US007439712B2

(12) **United States Patent**
McCowen

(10) **Patent No.:** **US 7,439,712 B2**
(45) **Date of Patent:** **Oct. 21, 2008**

(54) **ENERGY COLLECTION**

(76) Inventor: **Clint McCowen**, 1902 Rue La Fontaine,
Navarre, FL (US) 32566

(*) Notice: Subject to any disclaimer, the term of this
patent is extended or adjusted under 35
U.S.C. 154(b) by 509 days.

(21) Appl. No.: **11/358,264**

(22) Filed: **Feb. 21, 2006**

(65) **Prior Publication Data**

US 2007/0195481 A1 Aug. 23, 2007

(51) **Int. Cl.**

H02N 1/00 (2006.01)

(52) **U.S. Cl.** **322/2 A**; 307/149; 361/225;
361/117; 174/2; 320/101

(58) **Field of Classification Search** 361/220,
361/117, 212, 233, 221, 222, 225; 322/2 A,
322/2 R; 307/149; 174/2, 3; 320/101
See application file for complete search history.

(56) **References Cited**

U.S. PATENT DOCUMENTS

674,427 A * 5/1901 Palencsar 307/149

911,260 A *	2/1909	Pennock	307/149
1,014,719 A *	1/1912	Pennock	307/149
4,104,696 A	8/1978	Cochran, Jr.		
5,047,892 A	9/1991	Sakata et al.		
6,735,830 B1	5/2004	Merciel		
6,974,110 B2	12/2005	Grandics		
2003/0107869 A1	6/2003	Pan et al.		
2004/0160711 A1	8/2004	Stumberger		
2004/0212945 A1	10/2004	Sprenger et al.		

* cited by examiner

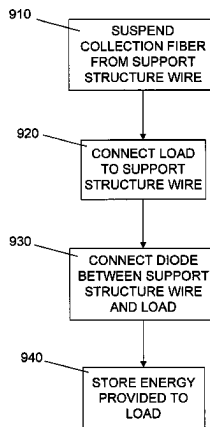
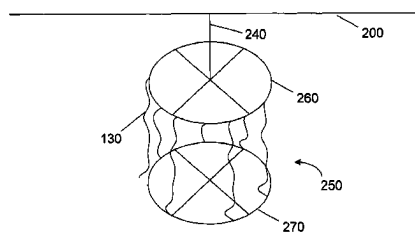
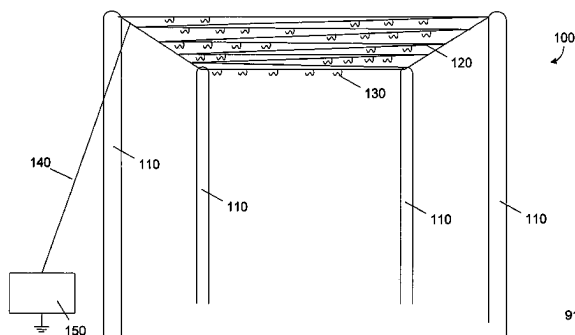
Primary Examiner—Mark T Le

(74) *Attorney, Agent, or Firm*—Thomas, Kayden,
Horstemeyer & Risley, LLP

(57) **ABSTRACT**

An energy collection system may collect and use the energy generated by an electric field. Collection fibers are suspended from a support wire system supported by poles. The support wire system is electrically connected to a load by a connecting wire. The collection fibers may be made of any conducting material, but carbon and graphite are preferred. Diodes may be used to restrict the backflow or loss of energy.

28 Claims, 10 Drawing Sheets



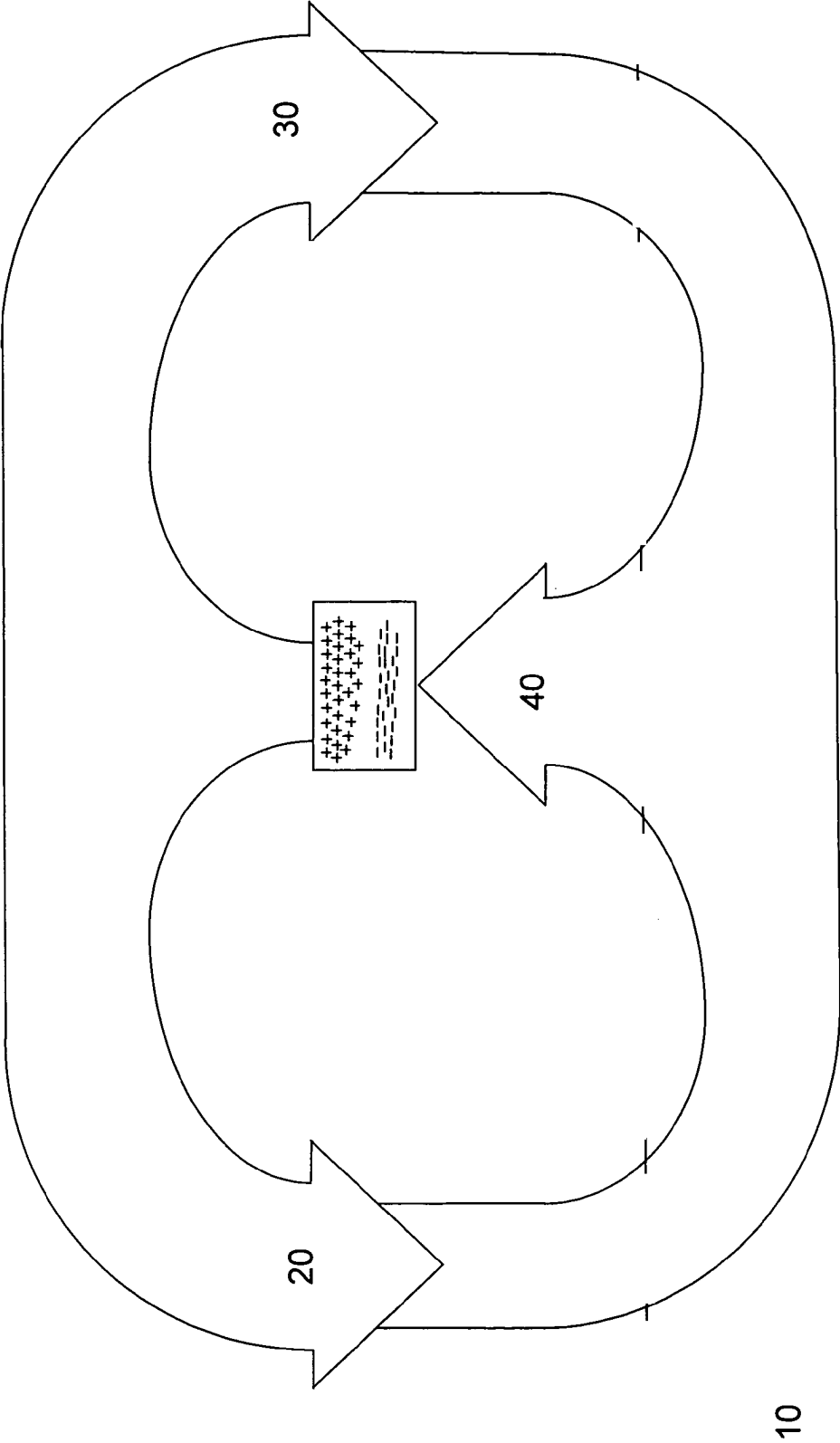


FIGURE 1

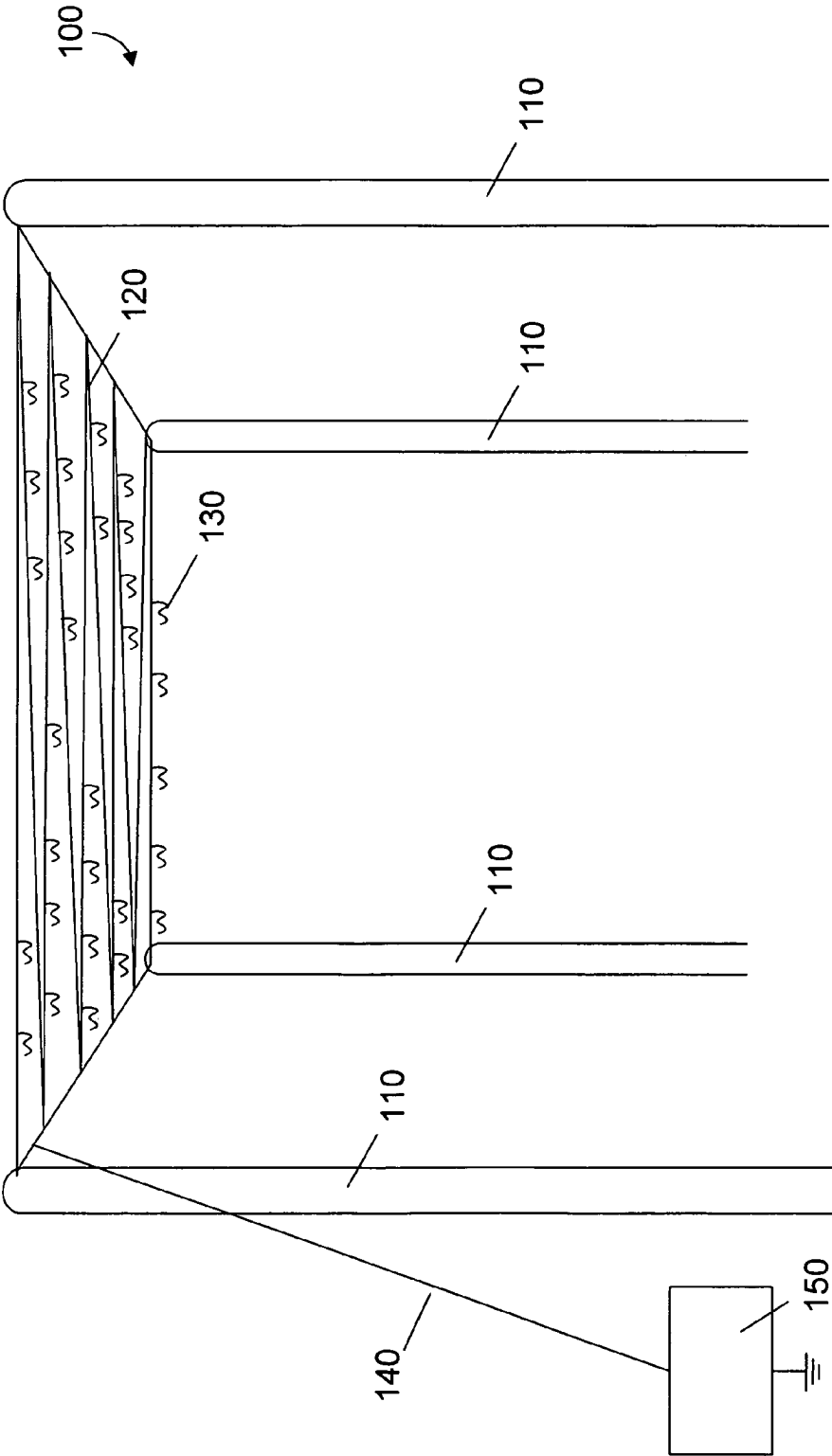


FIGURE 2

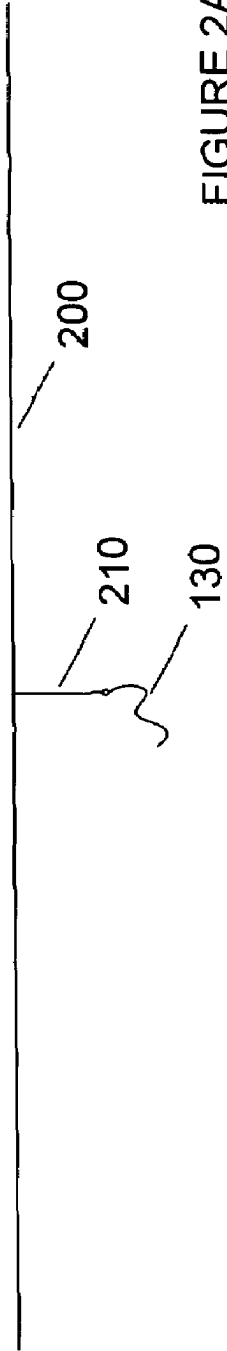


FIGURE 2A



FIGURE 2B

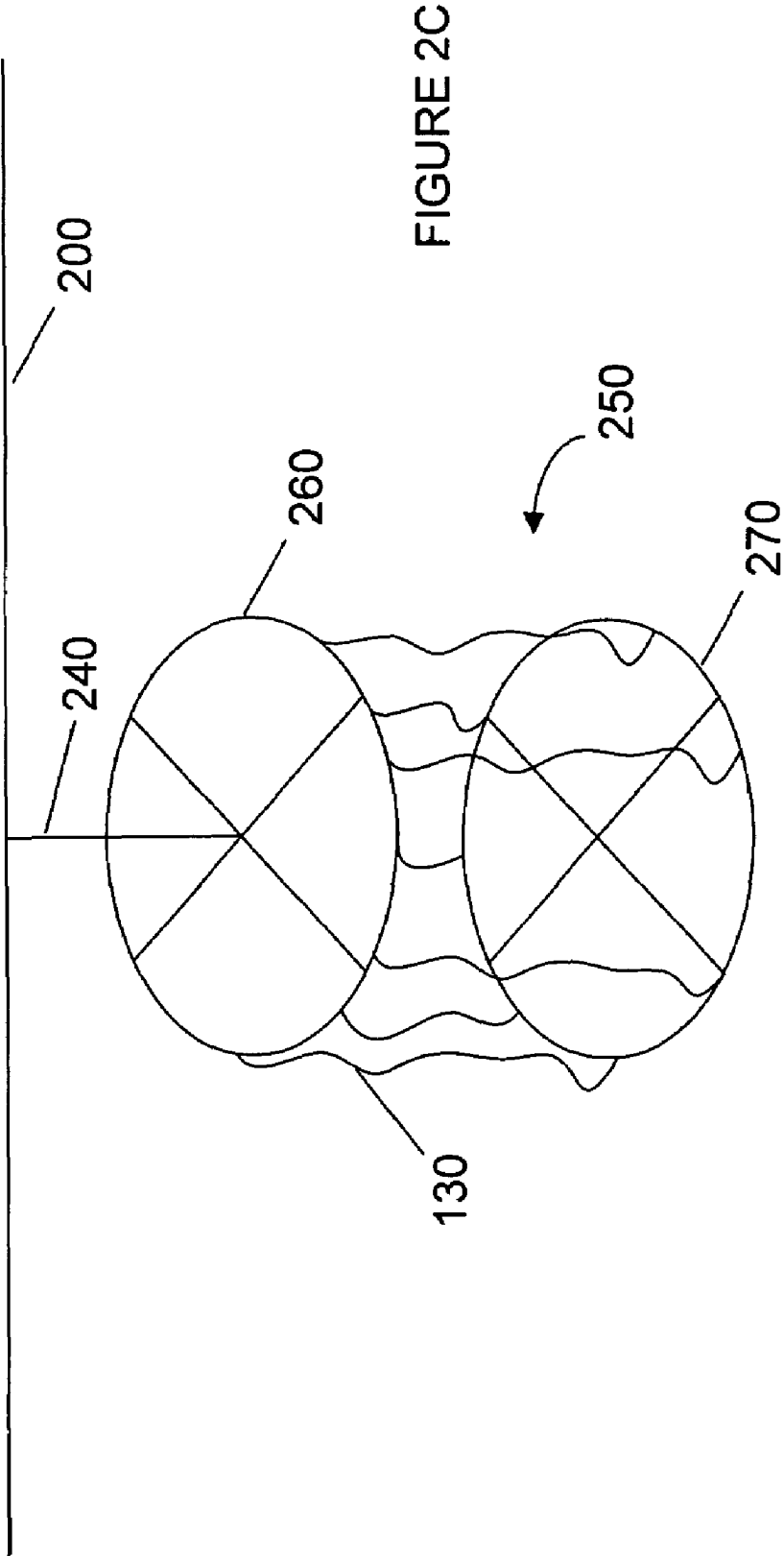


FIGURE 2D

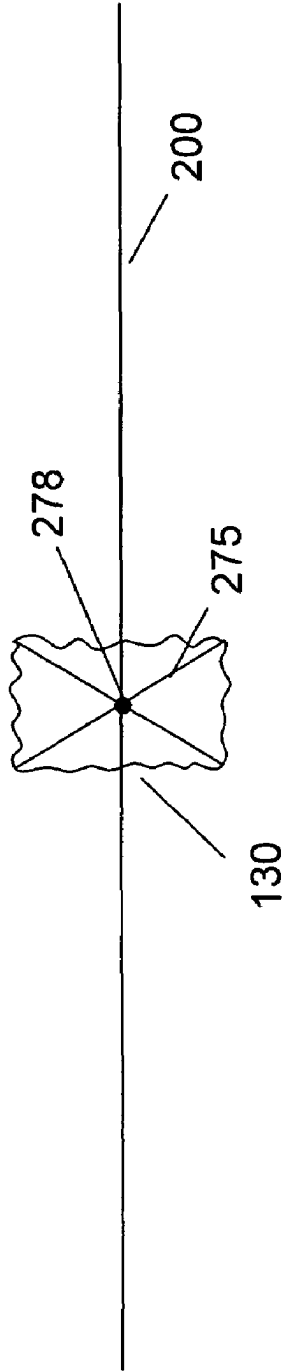


FIGURE 2E

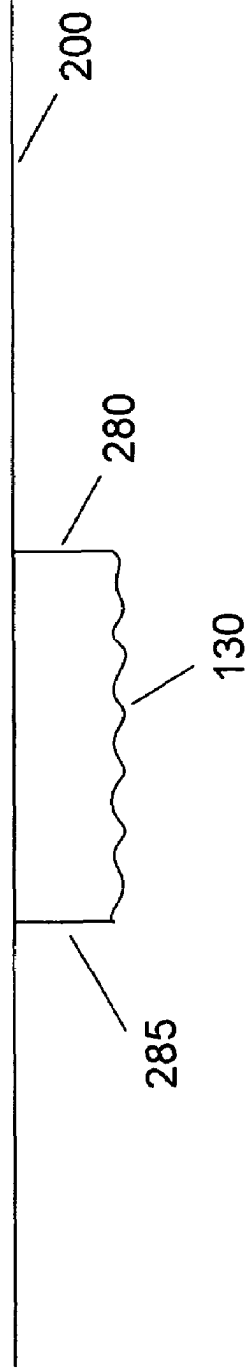


FIGURE 2F

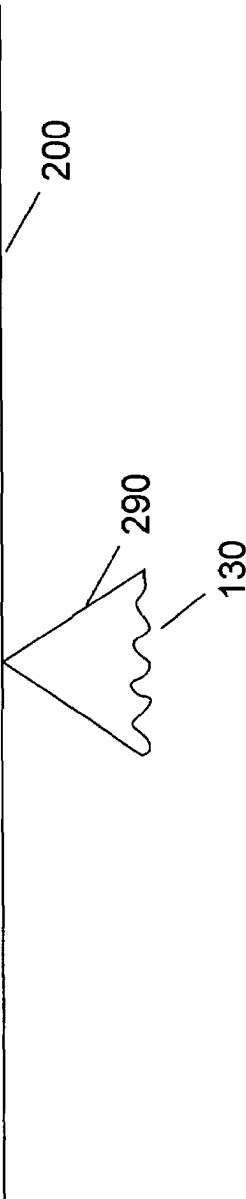
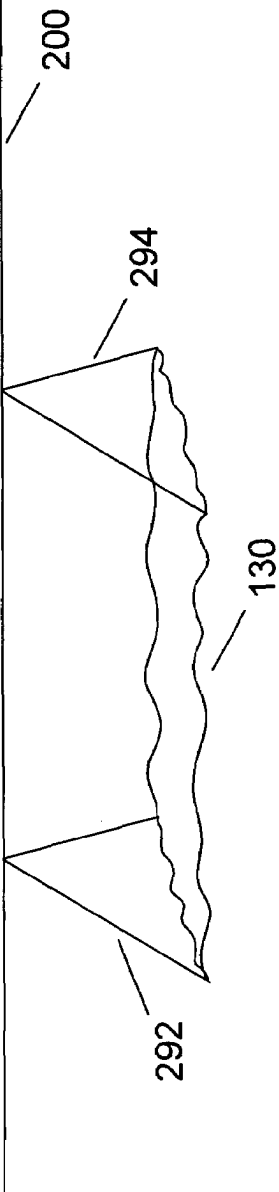
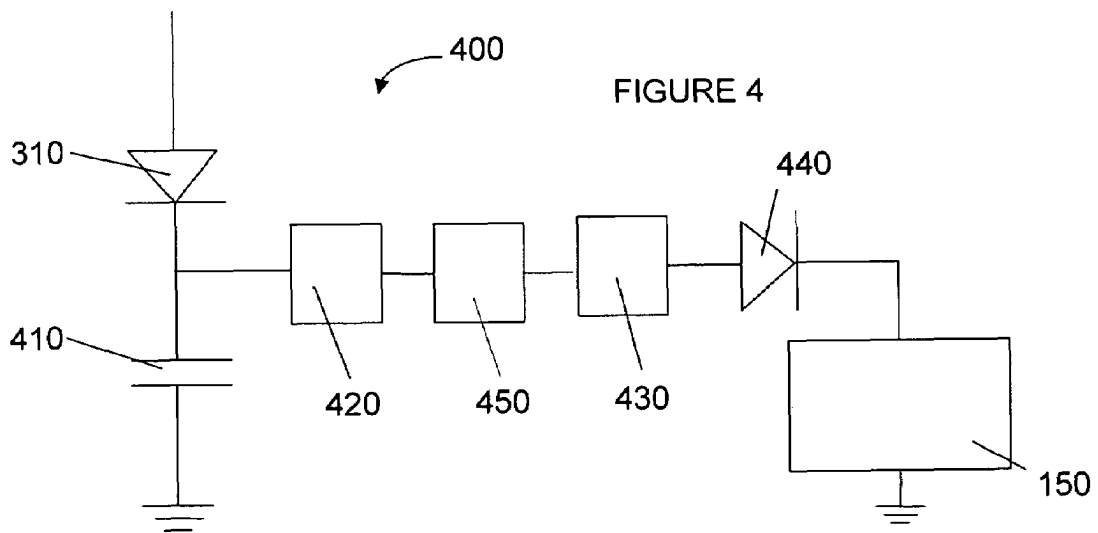
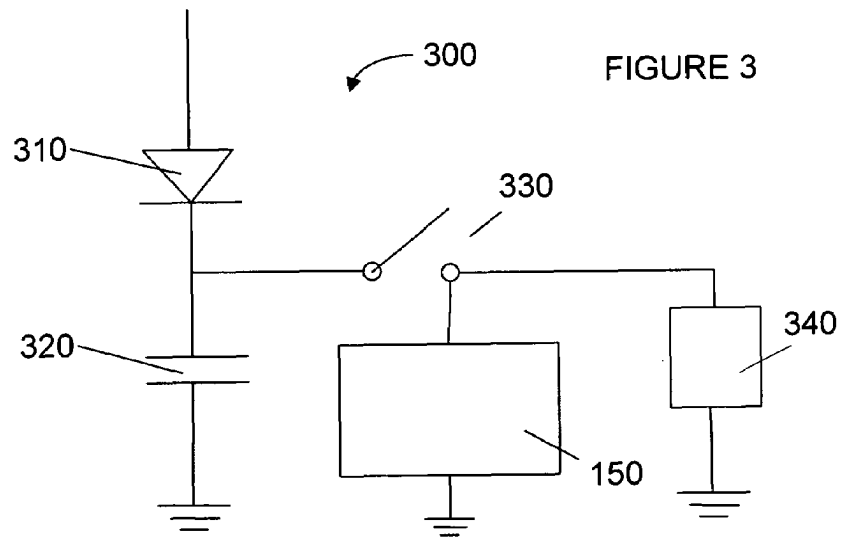
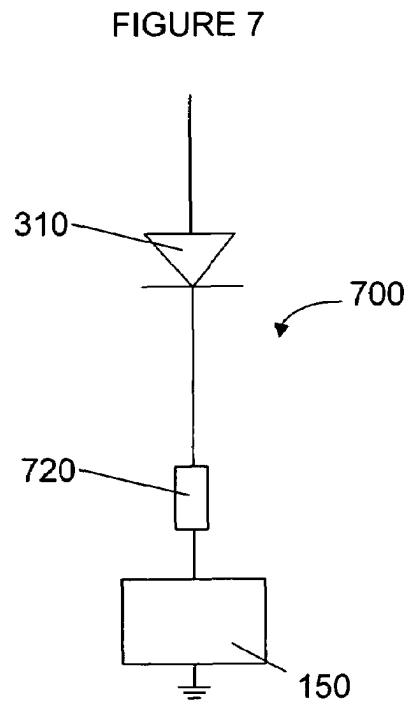
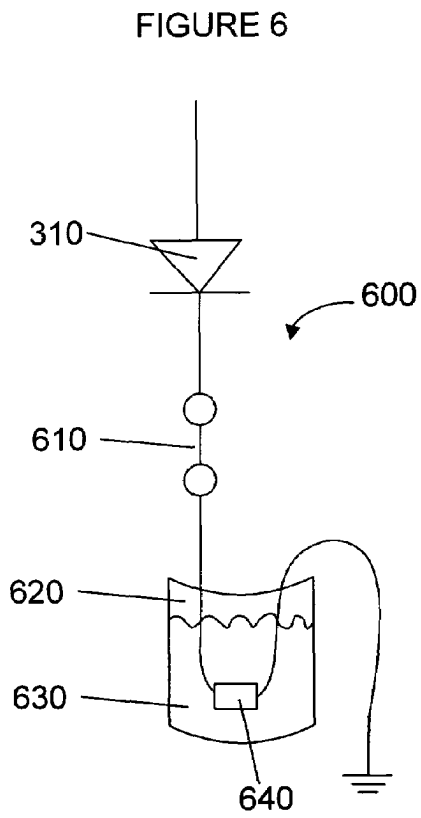
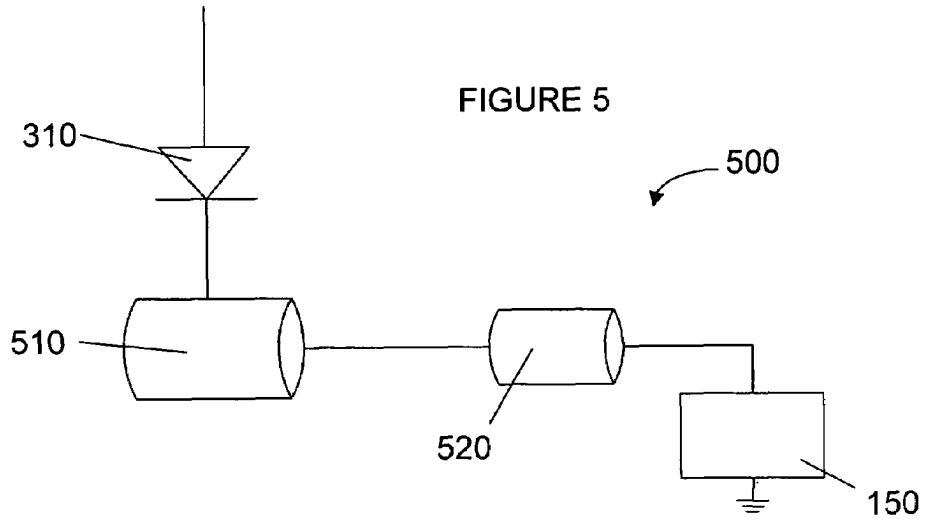


FIGURE 2G







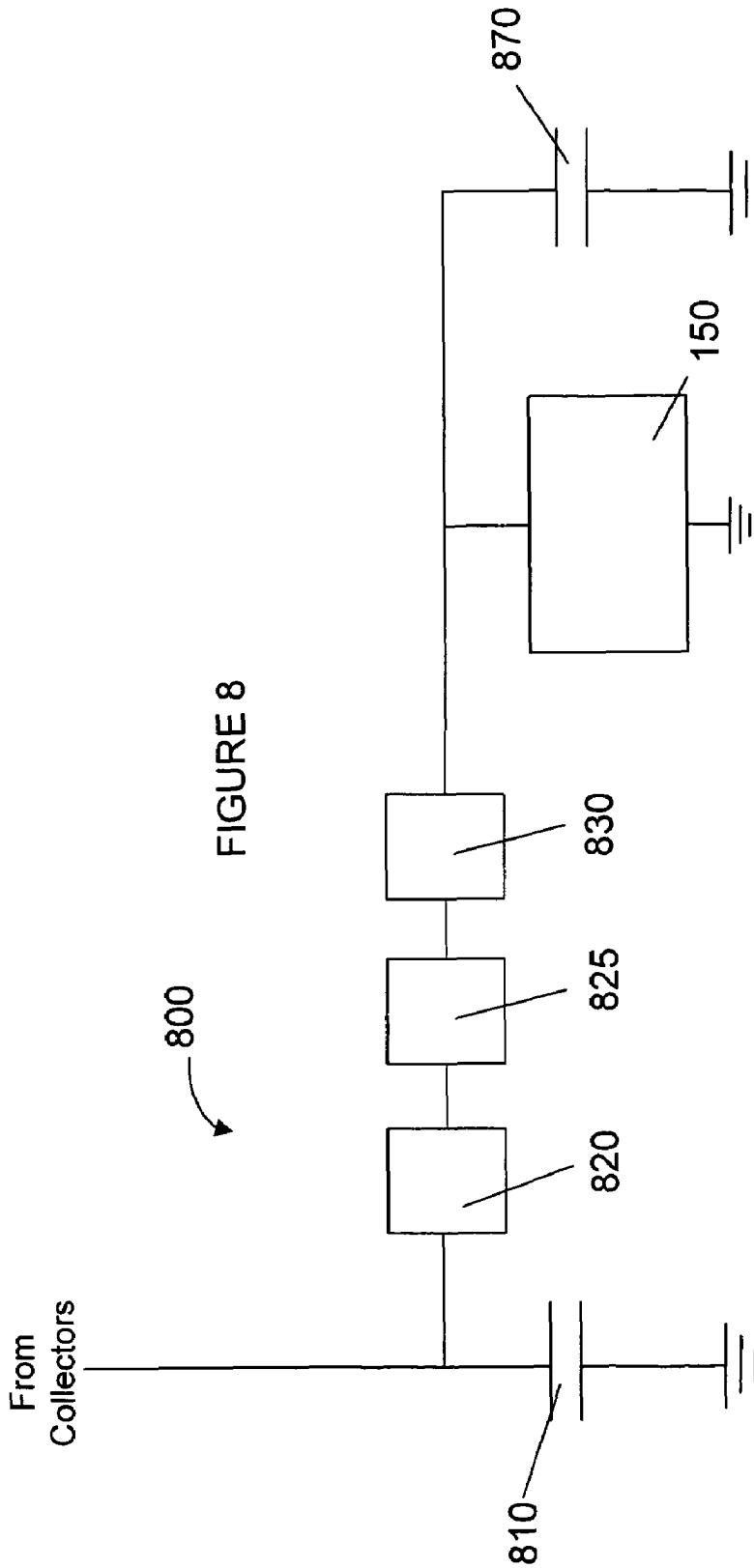


FIGURE 8

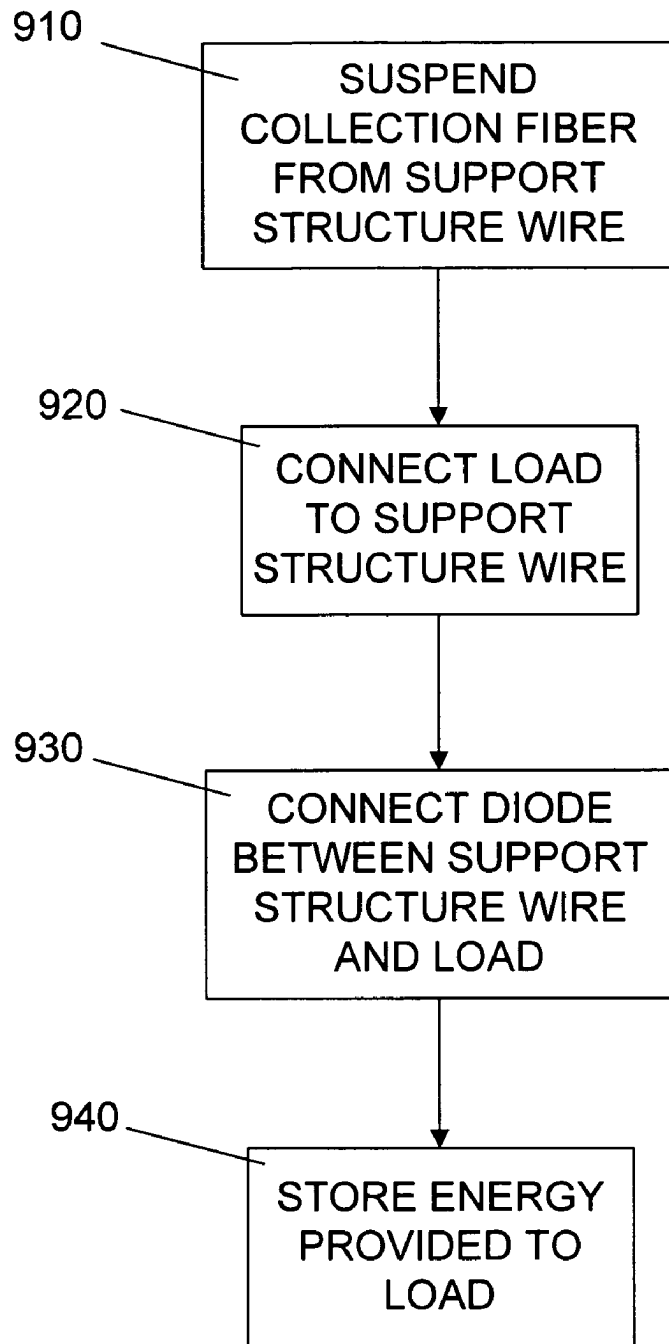


FIGURE 9

1

ENERGY COLLECTION

TECHNICAL FIELD

The present disclosure is generally related to energy and, more particularly, is related to systems and methods for collecting energy.

BACKGROUND

The concept of fair weather electricity deals with the electric field and the electric current in the atmosphere propagated by the conductivity of the air. Clear, calm air carries an electrical current, which is the return path for thousands of lightning storms simultaneously occurring at any given moment around the earth. For simplicity, this energy may be referred to as static electricity or static energy. FIG. 1 illustrates a weather circuit for returning the current from lightning, for example, back to ground 10. Weather currents 20, 30 return the cloud to ground current 40.

In a lightening storm, an electrical charge is built up, and electrons arc across a gas, ionizing it and producing the lightening flash. As one of ordinary skill in the art understands, the complete circuit requires a return path for the lightening flash. The atmosphere is the return path for the circuit. The electric field due to the atmospheric return path is relatively weak at any given point because the energy of thousands of electrical storms across the planet are diffused over the atmosphere of the entire Earth during both fair and stormy weather. Other contributing factors to electric current being present in the atmosphere may include cosmic rays penetrating and interacting with the earth's atmosphere, and also the migration of ions, as well as other effects yet to be fully studied.

Some of the ionization in the lower atmosphere is caused by airborne radioactive substances, primarily radon. In most places of the world, ions are formed at a rate of 5-10 pairs per cubic centimeter per second at sea level. With increasing altitude, cosmic radiation causes the ion production rate to increase. In areas with high radon exhalation from the soil (or building materials), the rate may be much higher.

Alpha-active materials are primarily responsible for the atmospheric ionization. Each alpha particle (for instance, from a decaying radon atom) will, over its range of some centimeters, create approximately 150,000-200,000 ion pairs.

While there is a large amount of usable energy available in the atmosphere, a method or apparatus for efficiently collecting that energy has not been forthcoming. Therefore, a heretofore unaddressed need exists in the industry to address the aforementioned deficiencies and inadequacies.

SUMMARY

Embodiments of the present disclosure provide systems and methods for collecting energy. Briefly described in architecture, one embodiment of the system, among others, can be implemented by a support structure wire elevated above a ground level, at least one collection fiber electrically connected to the support structure wire; a load electrically connected to the support structure wire; and a diode electrically connected between the load and at least one collection fiber.

Embodiments of the present disclosure can also be viewed as providing methods for collecting energy. In this regard, one embodiment of such a method, among others, can be broadly summarized by the following steps: suspending at least one collection fiber from a support structure wire elevated above ground level, the fiber electrically connected to the support

2

structure wire; providing a load with an electrical connection to the support structure wire to draw current; and providing a diode electrically connected between the collection fiber and the load.

Other systems, methods, features, and advantages of the present disclosure will be or become apparent to one with skill in the art upon examination of the following drawings and detailed description. It is intended that all such additional systems, methods, features, and advantages be included within this description, be within the scope of the present disclosure, and be protected by the accompanying claims.

BRIEF DESCRIPTION OF THE DRAWINGS

Many aspects of the disclosure can be better understood with reference to the following drawings. The components in the drawings are not necessarily to scale, emphasis instead being placed upon clearly illustrating the principles of the present disclosure. Moreover, in the drawings, like reference numerals designate corresponding parts throughout the several views.

FIG. 1 is a circuit diagram of a weather energy circuit.

FIG. 2 is a perspective view of an exemplary embodiment of many energy collectors elevated above ground by a structure.

FIG. 2A is a side view of an energy collection fiber suspended from a support wire.

FIG. 2B is a side view of an exemplary embodiment of an energy collection fiber suspended from a support wire and with an additional support member.

FIG. 2C is a perspective view of a support structure for multiple energy collection fibers.

FIG. 2D is a side view of an exemplary embodiment of a support structure for multiple energy collection fibers.

FIG. 2E is a side view of a support structure for an energy collection fiber.

FIG. 2F is a side view of an exemplary embodiment of a support structure for an energy collection fiber.

FIG. 2G is a side view of a support structure for multiple energy collection fibers.

FIG. 3 is a circuit diagram of an exemplary embodiment of a circuit for the collection of energy.

FIG. 4 is a circuit diagram of an exemplary embodiment of a circuit for the collection of energy.

FIG. 5 is a circuit diagram of an exemplary embodiment of an energy collection circuit for powering a generator and motor.

FIG. 6 is a circuit diagram of an exemplary embodiment of a circuit for collecting energy and using it for the production of hydrogen and oxygen.

FIG. 7 is a circuit diagram of an exemplary embodiment of a circuit for collecting energy, and using it for driving a fuel cell.

FIG. 8 is a circuit diagram of an exemplary embodiment of a circuit for collecting energy.

FIG. 9 is a flow diagram of an exemplary embodiment of collecting energy with a collection fiber.

DETAILED DESCRIPTION

Electric charges on conductors reside entirely on the external surface of the conductors, and tend to concentrate more around sharp points and edges than on flat surfaces. Therefore, an electric field received by a sharp conductive point may be much stronger than a field received by the same charge residing on a large smooth conductive shell. An exemplary embodiment of this disclosure takes advantage of this

property, among others, to collect and use the energy generated by an electric field in the atmosphere. Referring to collection system **100** presented in FIG. **2**, at least one collection device **130** may be suspended from a support wire system **120** supported by poles **110**. Collection device **130** may comprise a diode or a collection fiber individually, or the combination of a diode and a collection fiber. Support wire system **120** may be electrically connected to load **150** by connecting wire **140**. Supporting wire system **120** may be any shape or pattern. Also, conducting wire **140** may be one wire or multiple wires. The collection device **130** in the form of a fiber may comprise any conducting or non-conducting material, including carbon, graphite, Teflon, and metal. An exemplary embodiment utilizes carbon or graphite fibers for static electricity collection. Support wire system **120** and connecting wire **140** can be made of any conducting material, including aluminum or steel, but most notably, copper. Teflon may be added to said conductor as well, such as non-limiting examples of a Teflon impregnated wire, a wire with a Teflon coating, or Teflon strips hanging from a wire. Conducting wire **120**, **140**, and **200** may be bare wire, or coated with insulation as a non-limiting example. Wires **120** and **140** are a means of transporting the energy collected by collection device **130**.

An exemplary embodiment of the collection fibers as collection device **130** includes graphite or carbon fibers. Graphite and carbon fibers, at a microscopic level, can have hundreds of thousands of points. Atmospheric electricity may be attracted to these points. If atmospheric electricity can follow two paths where one is a flat surface and the other is a pointy, conductive surface, the electrical charge will be attracted to the pointy, conductive surface. Generally, the more points that are present, the higher energy that can be gathered. Therefore, carbon, or graphite fibers are examples that demonstrate exemplary collection ability.

In at least one exemplary embodiment, the height of support wire **120** may be an important factor. The higher that collection device **130** is from ground, the larger the voltage potential between collection device **130** and electrical ground. The electric field may be more than **100** volts per meter under some conditions. When support wire **120** is suspended in the air at a particular altitude, wire **120** will itself collect a very small charge from ambient voltage. When collection device **130** is connected to support wire **120**, collection device **130** becomes energized and transfers the energy to support wire **120**.

A diode, not shown in FIG. **2**, may be connected in several positions in collection system **100**. A diode is a component that restricts the direction of movement of charge carriers. It allows an electric current to flow in one direction, but essentially blocks it in the opposite direction. A diode can be thought of as the electrical version of a check valve. The diode may be used to prevent the collected energy from discharging into the atmosphere through the collection fiber embodiment of collection device **130**. An exemplary embodiment of the collection device comprises the diode with no collection fiber. A preferred embodiment, however, includes a diode at the connection point of a collection fiber to support system **120** such that the diode is elevated above ground. Multiple diodes may be used between collection device **130** and load **150**. Additionally, in an embodiment with multiple fibers, the diodes restricts energy that may be collected through one fiber from escaping through another fiber.

Collection device **130** may be connected and arranged in relation to support wire system **120** by many means. Some non-limiting examples are provided in FIGS. **2A-2G** using a collection fiber embodiment. FIG. **2A** presents support wire **200** with connecting member **210** for collection device **130**.

Connection member **210** may be any conducting material allowing for the flow of electricity from connection device **130** to support wire **200**. Then, as shown in FIG. **2**, the support wire **200** of support system **120** may be electrically connected through conducting wire **140** to load **150**. A plurality of diodes may be placed at any position on the support structure wire. A preferred embodiment places a diode at an elevated position at the connection point between a collection fiber embodiment of collection device **130** and connection member **210**.

Likewise, FIG. **2B** shows collection fiber **130** electrically connected to support wire **200** and also connected to support member **230**. Support member **230** may be connected to collection fiber **130** on either side. Support member **230** holds the fiber steady on both ends instead of letting it move freely. Support member **230** may be conducting or non-conducting. A plurality of diodes may be placed at any position on the support structure wire. A preferred embodiment places a diode at elevated position at the connection point between collection fiber **130** and support wire **200** or between fiber **130**, support member **230**, and support wire **200**.

FIG. **2C** presents multiple collection fibers in a squirrel cage arrangement with top and bottom support members. Support structure **250** may be connected to support structure wire **200** by support member **240**. Structure **250** has a top **260** and a bottom **270** and each of the multiple collection fibers **130** are connected on one end to top **260** and on the other end to bottom **270**. A plurality of diodes may be placed at any position on support structure **250**. A preferred embodiment places a diode at an elevated position at the connection point between collection fiber **130** and support structure wire **200**.

FIG. **2D** presents another exemplary embodiment of a support structure with support members **275** in an x-shape connected to support structure wire **200** at intersection **278** with collection fibers **130** connected between ends of support members **275**. A plurality of diodes may be placed at any position on the support structure. A preferred embodiment places a diode at an elevated position at the connection point between collection fiber **130** and support wire **200**.

FIG. **2E** provides another exemplary embodiment for supporting collection fiber **130**. Collection fiber **130** may be connected on one side to support member **285**, which may be connected to support structure wire **200** in a first location and on the other side to support member **280**, which may be connected to support structure wire **200** in a second location on support structure wire **200**. The first and second locations may be the same location, or they may be different locations, even on different support wires. A plurality of diodes may be placed at any position on the support structure. A preferred embodiment places one or more diodes at elevated positions at the connection point(s) between collection fiber **130** and support wire **200**.

FIG. **2F** presents another exemplary embodiment of a support for a collection fiber. Two support members **290** may support either side of a collection fiber and are connected to support wire **200** in a single point. A plurality of diodes may be placed at any position on the support structure. A preferred embodiment places a diode at an elevated position at the connection point between collection fiber **130** and support wire **200**.

FIG. **2G** provides two supports as provided in FIG. **2F** such that at least two support members **292**, **294** may be connected to support structure wire **200** in multiple locations and collection fibers **130** may be connected between each end of the support structures. Collection fibers **130** may be connected between each end of a single support structure and between multiple support structures. A plurality of diodes may be

5

placed at any position on the support structure. A preferred embodiment places one or more diodes at elevated positions at the connection point(s) between collection fiber 130 and support structure wire 200.

FIG. 3 provides a schematic diagram of storing circuit 300 for storing energy collected by one or more collection devices (130 from FIG. 2). Load 150 induces current flow. Diode 310 may be electrically connected in series between one or more collection devices (130 from FIG. 2) and load 150. A plurality of diodes may be placed at any position in the circuit. Switch 330 may be electrically connected between load 150 and at least one collection device (130 from FIG. 2) to connect and disconnect the load.

Capacitor 320 may be connected in parallel to the switch 330 and load 150 to store energy when switch 330 is open for delivery to load 150 when switch 330 is closed. Rectifier 340 may be electrically connected in parallel to load 150, between the receiving end of switch 330 and ground. Rectifier 340 may be a full-wave or a half-wave rectifier. Rectifier 340 may include a diode electrically connected in parallel to load 150, between the receiving end of switch 330 and ground. The direction of the diode of rectifier 340 is optional.

In an exemplary embodiment provided in FIG. 4, storage circuit 400 stores energy from one or more collection devices (130 from FIG. 2) by charging capacitor 410. If charging capacitor 410 is not used, then the connection to ground shown at capacitor 410 is eliminated. A plurality of diodes may be placed at any position in the circuit. Diode 310 may be electrically connected in series between one or more collection devices (130 from FIG. 2) and load 150. Diode 440 may be placed in series with load 150. The voltage from capacitor 410 can be used to charge spark gap 420 when it reaches sufficient voltage. Spark gap 420 may comprise one or more spark gaps in parallel. Non-limiting examples of spark gap 420 include mercury-reed switches and mercury-wetted reed switches. When spark gap 420 arcs, energy will arc from one end of the spark gap 420 to the receiving end of the spark gap 420. The output of spark gap 420 may be electrically connected in series to rectifier 450. Rectifier 450 may be a full-wave or a half-wave rectifier. Rectifier 450 may include a diode electrically connected in parallel to transformer 430 and load 150, between the receiving end of spark gap 420 and ground.

The direction of the diode of rectifier 450 is optional. The output of rectifier 450 is connected to transformer 430 to drive load 150.

FIG. 5 presents motor driver circuit 500. One or more collection devices (130 from FIG. 2) are electrically connected to static electricity motor 510, which powers generator 520 to drive load 150. A plurality of diodes may be placed at any position in the circuit. Motor 510 may also be directly connected to load 150 to drive it directly.

FIG. 6 demonstrates a circuit 600 for producing hydrogen. A plurality of diodes may be placed at any position in the circuit. One or more collection devices (130 from FIG. 2) are electrically connected to primary spark gap 610, which may be connected to secondary spark gap 640. Non-limiting examples of spark gaps 610, 640 include mercury-reed switches and mercury-wetted reed switches. Secondary spark gap 640 may be immersed in water 630 within container 620. When secondary spark gap 640 immersed in water 630 is energized, spark gap 640 may produce bubbles of hydrogen and oxygen, which may be collected to be used as fuel.

FIG. 7 presents circuit 700 for driving a fuel cell. A plurality of diodes may be placed at any position in the circuit.

6

Collection devices (130 from FIG. 2) provide energy to fuel cell 720 which drives load 150. Fuel cell 720 may produce hydrogen and oxygen.

FIG. 8 presents exemplary circuit 800 for the collection of energy. Storage circuit 800 stores energy from one or more collection devices (130 from FIG. 2) by charging capacitor 810. If charging capacitor 810 is not used, then the connection to ground shown at capacitor 810 is eliminated. A plurality of diodes may be placed at any position in the circuit. The voltage from capacitor 810 can be used to charge spark gap 820 when it reaches sufficient voltage. Spark gap 820 may comprise one or more spark gaps in parallel or in series. Non-limiting examples of spark gap 820 include mercury-reed switches and mercury-wetted reed switches. When spark gap 820 arcs, energy will arc from one end of spark gap 820 to the receiving end of spark gap 820. The output of spark gap 820 may be electrically connected in series to rectifier 825. Rectifier 825 may be a full-wave or a half-wave rectifier. Rectifier 825 may include a diode electrically connected in parallel to inductor 830 and load 150, between the receiving end of spark gap 820 and ground. The direction of the diode of rectifier 825 is optional. The output of rectifier 825 is connected to inductor 830. Inductor 830 may be a fixed value inductor or a variable inductor. Capacitor 870 may be placed in parallel with load 150.

FIG. 9 presents a flow diagram of a method for collecting energy. In block 910, one or more collection devices may be suspended from a support structure wire. In block 920, a load may be electrically connected to the support structure wire to draw current. In block 930 a diode may be electrically connected between the support structure wire and the electrical connection to the load. In block 940, energy provided to the load may be stored or otherwise utilized.

Any process descriptions or blocks in flow charts should be understood as representing modules, segments, or portions of code which include one or more executable instructions for implementing specific logical functions or steps in the process, and alternate implementations are included within the scope of the preferred embodiment of the present disclosure in which functions may be executed out of order from that shown or discussed, including substantially concurrently or in reverse order, depending on the functionality involved, as would be understood by those reasonably skilled in the art of the present disclosure.

It should be emphasized that the above-described embodiments of the present disclosure, particularly, any "preferred" embodiments, are merely possible examples of implementations, merely set forth for a clear understanding of the principles of the disclosure. Many variations and modifications may be made to the above-described embodiment(s) of the disclosure without departing substantially from the spirit and principles of the disclosure. All such modifications and variations are intended to be included herein within the scope of this disclosure and the present disclosure and protected by the following claims.

Therefore, at least the following is claimed:

1. A method of collecting energy comprising:
 - suspending at least one collection device from a plurality of support structure wires elevated above a ground level, the collection device including a carbon or graphite fiber that collects electrical energy from the air and is electrically connected to the support structure wire; and
 - providing a load with an electrical connection to the plurality of support structure wires to draw current.
2. The method of claim 1, wherein the collection device comprises a diode.

7

3. The method of claim 1, wherein the collection device comprises a diode electrically connected between the fiber and the load.

4. The method of claim 1, further comprising storing energy provided to the load.

5. The method of claim 4, wherein storing energy provided to the load comprises storing energy in a capacitor or an inductor.

6. The method of claim 2, wherein the diode is elevated relative to the ground level.

7. A system of energy collection comprising:

a plurality of support structure wires elevated above ground level; at least one collection device including at least one carbon or graphite fiber that collects electrical enemy from the air and is electrically connected to the plurality of support structure wires; and

a load electrically connected to the plurality of support structure wires.

8. The system of claim 7, wherein the collection device comprises a diode.

9. The system of claim 7, wherein the collection device comprises a diode electrically connected between the load and the fiber.

10. The system of claim 8, wherein the diode is elevated relative to the ground level.

11. The system of claim 7, further comprising a diode electrically connected between the at least one collection device and the plurality of support structure wires.

12. The system of claim 7, wherein the fiber comprises a first end and a second opposing end, and wherein the system further comprises a support structure connected to both ends of the fiber.

13. The system of claim 7, comprising:

said at least one fiber including a plurality of collection fibers; a support frame having a top side and a bottom side; and a conducting connecting wire between the plurality of support structure wires and the support frame, wherein one end of each of a plurality of collection fibers is connected to the top side of the support frame, and the opposing end of each of a plurality of collection fibers is connected to the bottom side of the support frame.

14. The system of claim 7, further comprising a rigid structure, the rigid structure comprising multiple supports extending outward from a single point of the support structure, wherein each end of the fiber is connected to an end of the multiple supports.

15. The system of claim 7, further comprising a rigid structure, the rigid structure comprising multiple supports extending outward from multiple points of the support structure, wherein each end of the fiber is connected to an end of the multiple supports.

8

16. The system of claim 14, further comprising a plurality of rigid structures wherein said at least one fiber includes collection fibers connected between a plurality of the rigid structures.

17. The system of claim 7, further comprising:

a switch connected in series between the plurality of support structure wires and the load; and

a capacitor connected in parallel with the switch and the load.

18. The system of claim 17, wherein the switch comprises an interrupter connected between the plurality of support structure wires and the load.

19. The system of claim 18, wherein the interrupter comprises one of a fluorescent tube, a neon bulb, an AC light, or a spark gap.

20. The system of claim 18, further comprising a transformer connected between the interrupter and the load.

21. The system of claim 7, further comprising:

a motor for providing power the motor connected between the plurality of support structure wires and the load; and a generator powered by the motor.

22. The system of claim 7, wherein the load comprises a spark gap in a container of fluid, and the load is used to produce a chemical reaction.

23. The system of claim 22, wherein the fluid comprises water and the chemical reaction comprises the production of hydrogen and oxygen.

24. The system of claim 7, further comprising a fuel cell between the plurality of support structure wires and the load.

25. The system of claim 7, wherein the load comprises a fuel cell.

26. The system of claim 24, wherein the fuel cell produces hydrogen and oxygen.

27. The system of claim 24, further comprising a diode connected between the plurality of support structure wires and the fuel cell.

28. A system of collecting energy comprising:

means for suspending carbon or graphite collection fibers, the means elevated above a ground level, the collection fibers collecting electrical enemy from the air and electrically connected to the means for suspending collection fibers;

means for inducing current flow, the means for inducing current flow electrically connected to the means for suspending collection fibers; and

means for restricting the backflow of charge carriers, the means for restricting the backflow of charge carriers electrically connected between the collection fibers and the means for inducing current flow.

* * * * *